
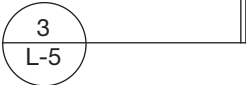




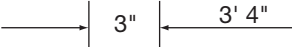






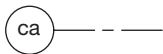
Plan Symbols

ARCHITECTURAL SYMBOLS	
Symbol	Definition
	Wall section No. 2 can be seen on drawing No. A-4.
	Detail section No. 3 can be seen on drawing No. A-5.
	Building section A-A can be seen on drawing No. A-6.
	Main object line
	Hidden or invisible line
	Indicates center line
	Dimension lines
	Extension lines
	Symbol indicates center line
	Indicates wall surface
	Indicates north direction

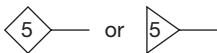
ARCHITECTURAL SYMBOLS *(cont.)*

Symbol

Definition



Column line grid



Partition type



Window type



Door number



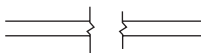
Room number



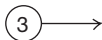
Ceiling height



Revision marker



Break in a continuous line



Refer to note #3



Elevation marker



Interior elevations
1,2,3 & 4 can be
seen on drawing A-5.
Direction of triangle
indicates elevation.

PLUMBING PIPING

Soil, waste or leader
(above grade) _____

Soil, waste or leader
(below grade) _____

Vent - - - - -

Combination waste
and vent _____ SV _____

Acid waste _____ AW _____

Acid vent - - - AV - - -

Indirect drain _____ IW _____

Storm drain _____ S _____

Cold water _____

Soft cold water _____ SW _____

Industrialized
cold water _____ ICW _____

Chilled drinking
water supply _____ DWS _____

Chilled drinking
water return _____ DWR _____

Hot water _____

Hot water return _____

Sanitizing hot water
supply (180F) / - - - / - - - /

Sanitizing hot water
return (180F) / - - - / - - - /

Industrialized hot
water supply _____ IHW _____

PLUMBING PIPING *(cont.)*

Industrialized hot
water return

— IHR —

Gas – low pressure

— G — G —

Tempered water
supply

— TWS —

Gas – medium pressure

— MG —

Tempered water
return

— TWR —

Gas – high pressure

— HG —

Fire line

— F — F —

Compressed air

— A —

Wet standpipe

— WSP —

Vacuum

— V —

Dry standpipe

— DSP —

Vacuum cleaning

— VC —

Combination standpipe

— CSP —

Oxygen

— O —

Main supplies
sprinkler

— S —

Liquid oxygen

— LOX —

Branch and head
sprinkler

— ○ — ○ —

Nitrogen

— N —

Liquid nitrogen

—— LN ——

Pneumatic tubes
tube runs

—— PN ——

Nitrous oxide

—— NO ——

Cast iron

—— CI ——

Hydrogen

—— H ——

Culvert pipe

—— CP ——

Helium

—— HE ——

Clay tile

—— CT ——

Argon

—— AR ——

Ductile iron

—— DI ——

Liquid petroleum
gas

—— LPG ——

Reinforced concrete

—— RCP ——

Industrial waste

—— INW ——

Drain – open tile or
agricultural tile

== == == ==

HEATING PIPING

High pressure
steam

——HPS——

Make up water

—— MU ——

Medium pressure
steam

—— MPS ——

Air relief line

—— V ——

Low pressure
steam

—— LPS ——

Fuel oil suction

—— FOS ——

High pressure
return

—— HPR ——

Fuel oil return

—— FOR ——

Medium pressure
return

—— MPR ——

Fuel oil vent

—— FOV ——

Low pressure
return

—— LPR ——

Compressed air

—— A ——

Boiler blow off

—— BD ——

Hot water
heating supply

—— HW ——

Condensate or vacuum
pump discharge

—— VPD ——

Hot water
heating return

—— HW ——

Feedwater pump
discharge

—— PPD ——

AIR CONDITIONING PIPING

Refrigerant liquid — RL —

Chilled water return — CHWR —

Refrigerant discharge — RD —

Make up water — MU —

Refrigerant suction — RS —

Humidification line — H —

Condenser water supply — CWS —

Drain — D —

Condenser water return — CWR —






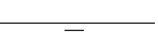


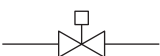
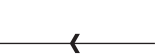




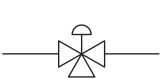









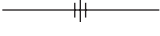

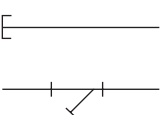
Brine supply — B —

Chilled water supply — CHWS —

Brine return — BR —

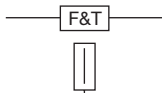
PIPING SYMBOLS

Valves, Fittings and Specialties

Gate		Concentric reducer	
Globe		Eccentric reducer	
Check		Pipe guide	
Butterfly		Pipe anchor	
Solenoid		Flow direction	
Lock shield		Elbow looking up	
2-Way automatic control		Elbow looking down	
3-Way automatic control		Pipe pitch up or down	
Gas cock		Expansion joint	
Plug cock		Expansion loop	
Flanged joint		Flexible connection	
Union		Thermostat	
Cap		Thermostatic trap	
Strainer			

PIPING SYMBOLS (cont.)

Float and
thermostatic
trap



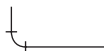
Hose bibb



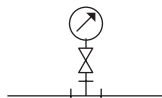
Thermometer



Elbow



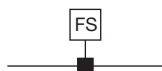
Pressure
gauge



Tee



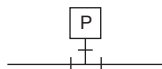
Flow
switch



'Y'



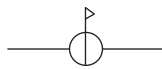
Pressure
switch



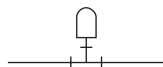
OS & Y
gate



Pressure
reducing
valve



Shock
absorber



Temperature
and pressure
relief valve



House trap



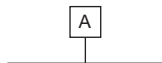
Humidistat



'P' trap



Aquastat



Floor drain



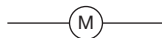
Air vent



Indirect
waste



Meter



Sanitary
below grade



Sanitary
above grade



PIPING SYMBOLS *(cont.)*

Storm below grade	— — — ST — — —	Gas-low pressure	————— G —————
Storm above grade	————— ST —————	Gas-medium pressure	————— MG —————
Vent	— — — — —	Gas-high pressure	————— HG —————
Combination waste & vent	————— CWV —————	Compressed air	————— CA —————
Acid waste below grade	— — — AW — — —	Vacuum	————— V —————
Acid waste above grade	————— AW —————	Vacuum cleaning	————— VC —————
Acid vent	— — — AV — — —	Nitrogen	————— N —————
Cold water	————— — — <u>CW</u>	Nitrous oxide	————— N ₂ O —————
Hot water	————— — — <u>HW</u>	Oxygen	————— O —————
Hot water circulation	————— — — — <u>HWC</u>	Liquid oxygen	————— LOX —————
Drinking water supply	————— DWS —————	Liquid petroleum gas	————— LPG —————
Drinking water return	————— DWR —————		

FIRE PROTECTION PIPING SYMBOLS

Fire protection water supply ——— F ———

Wall fire department connection 

Wet standpipe ——— WSP ———

Dry standpipe ——— DSP ———


Sidewalk fire department connection 

Combination standpipe ——— CSP ———

Fire hose rock 


Automatic fire sprinkler ——— SP ———

Surface mounted fire hose cabinet 
FHC

Upright fire sprinkler heads 

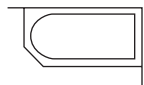
Pendent fire sprinkler heads 

Recessed fire hose cabinet 
FHC

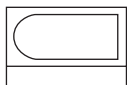
Fire hydrant 

PLUMBING FIXTURE SYMBOLS

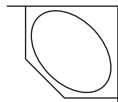
Baths



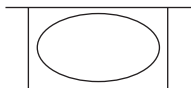
Corner



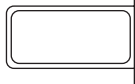
Recessed



Angle

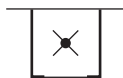


Whirlpool



Institutional
or island

Showers



Stall

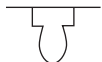


Corner Stall



Wall Gang

Water Closets



Tank



Flush Valve



Bidet

Urinals



Wall

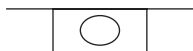


Stall



Trough

Lavatories



Vanity



Wall



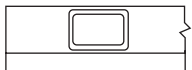
Counter



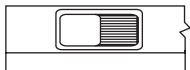
Pedestal

PLUMBING FIXTURE SYMBOLS (cont.)

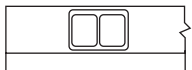
Kitchen Sinks



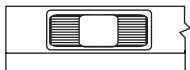
Single basin



Single drainboard



Twin basin



Double drainboard

Drinking Fountains or Electric Water Coolers



Floor or wall



Recessed



Semirecessed

Dishwasher



Laundry Trays



Single



Double

Service Sinks



Wall



Floor

Wash Fountains



Circular



Semicircular

Hot Water



Heater



Tank

Separators

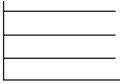



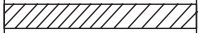

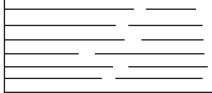


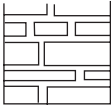
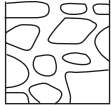




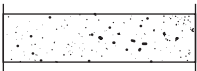
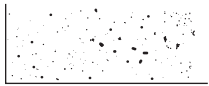
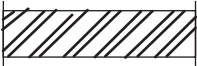
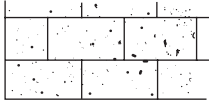


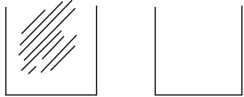
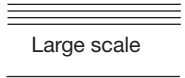
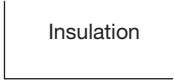
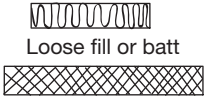
Gas







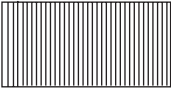
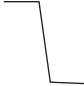
Oil

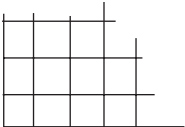
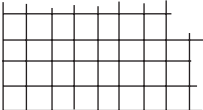
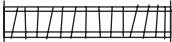
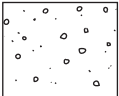
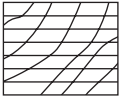
MATERIAL INDICATION SYMBOLS

Material	Plan	Elevation	Section
Wood	Floor areas left blank	 Siding  Panel	 Framing  Finish
Brick	 Face  Common	 Face or common	Same as plan view
Stone	 Cut  Rubble	 Cut  Rubble	 Cut  Rubble

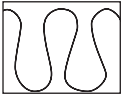
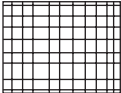
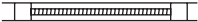

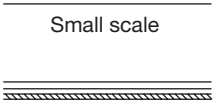
Concrete			Same as plan view
Concrete block			Same as plan view
Earth	None	None	
Glass			 Large scale Small scale
Insulation	Same as section	 Insulation	 Loose fill or batt Board

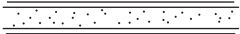
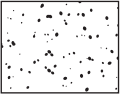
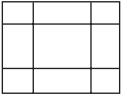


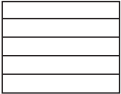
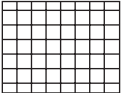

MATERIAL INDICATION SYMBOLS *(cont.)*

Material	Plan	Elevation	Section
Plaster	Same as section	<p style="text-align: center;">Plaster</p> 	<p style="text-align: center;">Stud</p>  <p style="text-align: center;">Lath and plaster</p>
Structural steel		Indicate by note	
Sheet metal flashing	Indicate by note		 <p style="text-align: center;">Show contour</p>


Tile	 <p data-bbox="437 306 505 332">Floor</p>	 <p data-bbox="828 306 883 332">Wall</p>	
Porous fill	None	None	
Plywood	Indicated by note	Indicated by note	

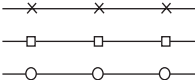
MATERIAL INDICATION SYMBOLS (cont.)

Material	Plan	Elevation	Section
Batt insulation		None	Same as plan
Rigid insulation		None	Same as plan
Glass			 <p>Small scale</p> <p>Large scale</p>

Gypsum wallboard			Same as plan
Acoustical		None	
Ceramic wall tile			Same as plan
Floor tile		None	


LANDSCAPE SYSTEMS AND GRAPHICS

Property line 

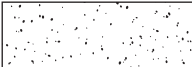
Fence 

Center line 

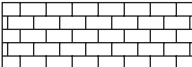
Building 


Concrete 

Window 

Sand 

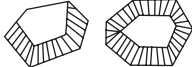
Door 

Brick 


Paving — 
pattern

Gravel 


random

Rock 

Wall 

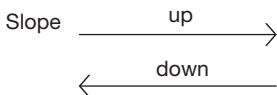
Water 

Stone wall 

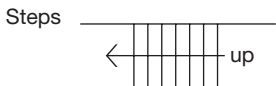
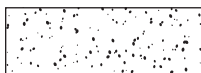
Hedge 

Swamp 

LANDSCAPE SYSTEMS AND GRAPHICS (cont.)



Grass



Ground cover



Benchmark



E1.00.0

Trees —

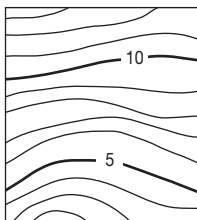


deciduous



evergreen

Topographic contours



Shrubs —



deciduous



evergreen

Herbaceous plants (flowers)



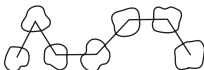
Contour lines —

— — — — —
unaltered

- - - - -
altered

—————
proposed

Same variety



MATERIALS SYMBOLS

Earthworks



Earth/compact fill

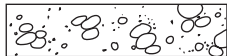


Porous fill/gravel

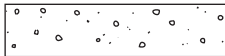


Rock

Concrete



Cast-in-place/precast

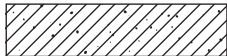


Lightweight



Sand/mortar/
plaster/cut stone

Masonry



Adobe/rammed earth



Common/face



Fire brick



Concrete block

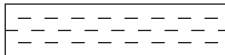


Gypsum block

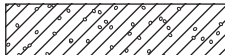


Structural facing tile

Stone



Bluestone/slate/
soapstone/flagging



Rubble

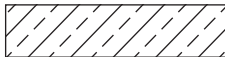


Marble

Metal



Aluminum



Brass/bronze

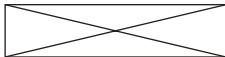


Steel/other metals

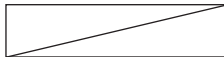
Wood



Finish



Rough



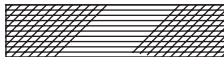
Blocking



Hardboard



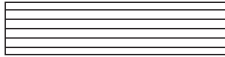
Plywood - large scale



Plywood - small scale

MATERIALS SYMBOLS (cont.)

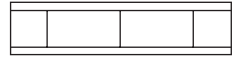
Glass



Glass

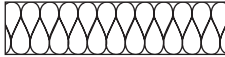


Structural

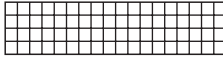


Glass block

Insulation



Batt/loose fill



Rigid



Spray/foam

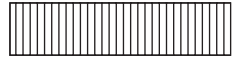
Finishes



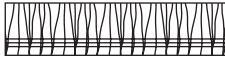
Acoustical tile



Ceramic tile - large scale



Ceramic tile - small scale



Carpet and pad

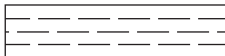


Gypsum wallboard



Metal lath and plaster

Finishes (cont.)



Plastic



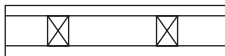
Resilient flooring/plastic laminate



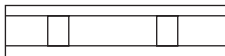
Terrazzo

Plan and Section Indications

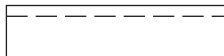
Partition Indications



Wood stud

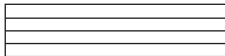


Metal stud

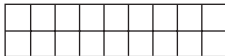


Special finish face

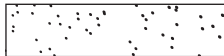
Elevation Indications



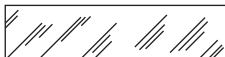
Brick



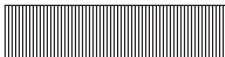
Ceramic tile



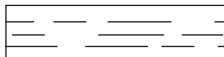
Concrete/plaster



Glass



Sheet metal



Shingles/siding

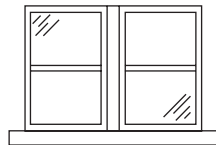
WINDOW AND DOOR SYMBOLS

Type

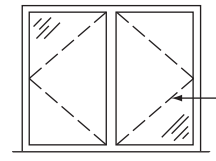
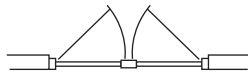
Plan

Elevation

Double hung
windows

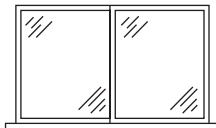


Casement
windows

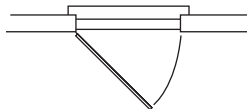


indicates
window
hinge

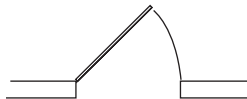
Slider



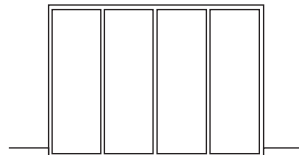
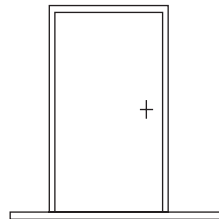
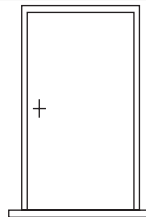
Exterior
door



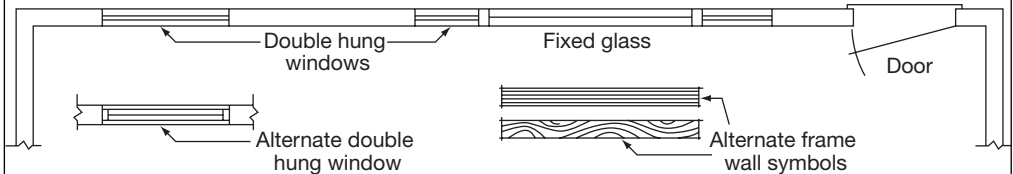
Interior
door



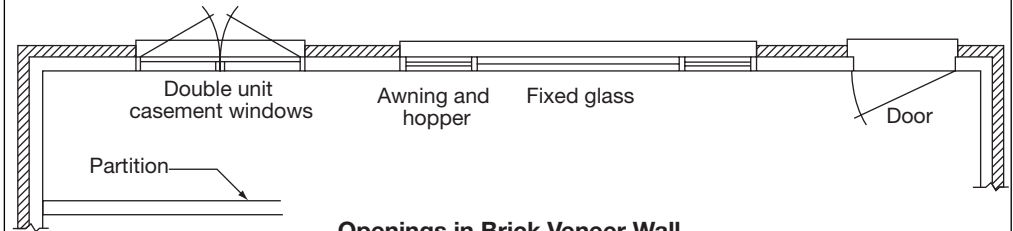
Bifold
door



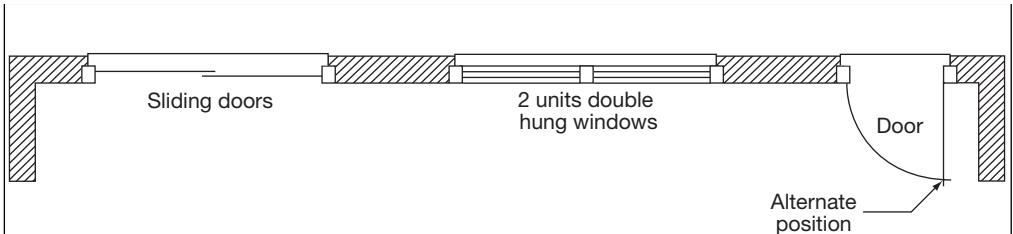
WINDOW AND DOOR SYMBOLS (cont.)



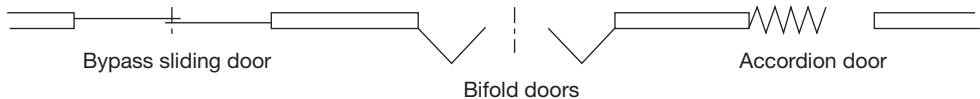
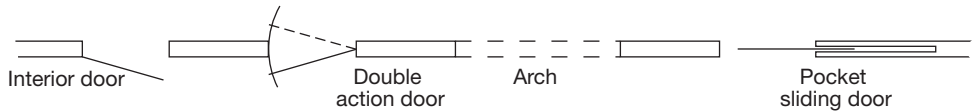
Openings in Frame Wall



Openings in Brick Veneer Wall



Openings in Masonry Wall



Openings in Interior Partitions

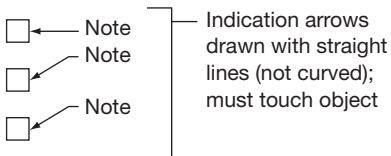
DRAWING CONVENTIONS AND SYMBOLS

Graphic Symbols

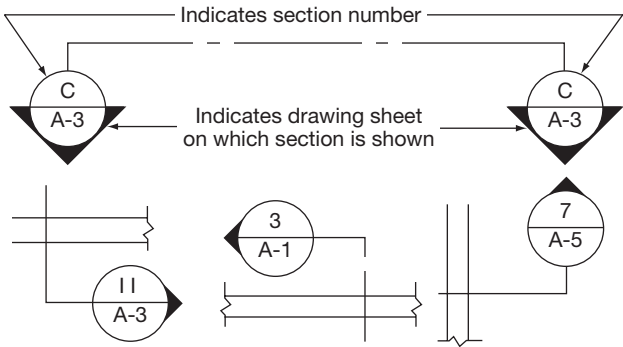
The symbols shown are those that seem to be the most common and acceptable, judged by the frequency of use by the architectural offices surveyed. This list can and should be expanded by each office to include symbols generally used by it, but not indicated here. Adoption of these symbols as standard practice is desirable to improve communication in the industry.



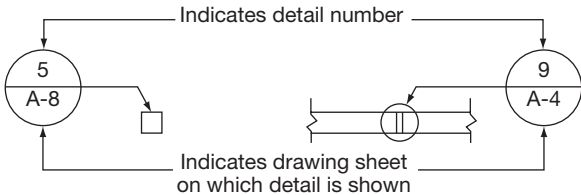
North point
to be placed on each
floor plan, generally in
lower right hand corner
of drawings



DRAWING CONVENTIONS AND SYMBOLS (cont.)

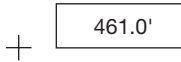


Section Lines and Section References

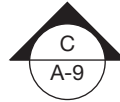


Detail References

DRAWING CONVENTIONS AND SYMBOLS *(cont.)*



New or required
point elevation



Building section
Reference drawing number



Existing point
elevation (plan)



Wall section or elevation
Reference drawing number



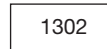
Existing contours
elevation noted on
high side



Detail
Reference drawing number



New contours
elevation noted on
high side

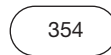


Room/space number



TB-1

Test boring



Equipment number



Match line
shaded portions –
the side considered



Level line
control point or
datum



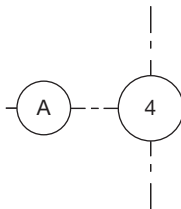
Revision



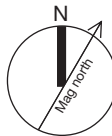
Window type



Door number
(if more than one door
per room subscript letters
are used)





Column reference grids





Project north
(magnetic north arrow
used on plot site plan only)

DRAWING CONVENTIONS AND SYMBOLS (cont.)

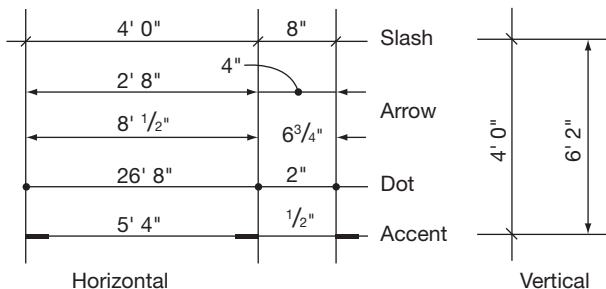
Dash and dot 
Center lines, projections, existing elevations lines

Dash and double dot line 
Property lines, boundary lines

Dotted line 
Hidden, future or existing construction to be removed

Break line 
To break off parts of drawing

Linework



Dimension Lines